

Rittal – The System.

Faster – better – everywhere.

▶ TS 8 Specification Guide



ENCLOSURES

POWER DISTRIBUTION

CLIMATE CONTROL

IT INFRASTRUCTURE

SOFTWARE & SERVICES

FRIEDHELM LOH GROUP





Ingeniously simple, fully symmetrical, and patented worldwide... this is the successful formula behind Rittal's TS 8 bayed enclosure system

- Rittal's modular design allows for efficient system updates, flexible buying options and virtually endless configurations, all based on a robust 16-fold tubular frame system
- The frame can hold weight loads up to 1,500 lbs. on the mounting panel and features multi-level mounting capability for unsurpassed flexibility
- The 25 mm hole pattern allows components and accessories to be mounted in three directions – by height, width and depth – which provides maximum space utilization (up to 30% more available space than traditional NEMA style enclosures of equal dimension)
- The door is strengthened with an attached frame which includes holes on a 25 mm pitch pattern for the attachment of ducts, cable harnesses, wiring plan pockets and much more
- The gasketed roof is secured with removable eyebolts that screw directly to the enclosure frame to seal out dirt and moisture

primeXpress

Enclosure Modification and Paint Program

Rittal builds enclosures.

In fact, we build thousands of the most innovative enclosures world-wide, every day.

We also realize that you may have a project that demands something different... and we know how to build that too.

Introducing **primeXpress**, Rittal's express build and modification program for wallmounts, junction boxes, and TS products in both carbon and stainless steel.



Rittal can meet virtually every specification your project may require. With dozens of enclosures and hundreds of accessories, Rittal can turn your project around quickly, and if modifications are needed our team of specialists is ready to design the custom changes and enhancements you require.

By soliciting customer feedback, Rittal has streamlined the order placement process. Pricing and the specifying process have all been refined and simplified with one goal in mind, delivering the perfect enclosure to the customer as fast as possible.

TS 8 Freestanding Enclosure

UL Type 12, IP 55, Single and Double Door—See Pages 6 & 7

Configuration:

Enclosure frame with door(s), mounting panel, gland plates, rear wall and roof plate

Finish:

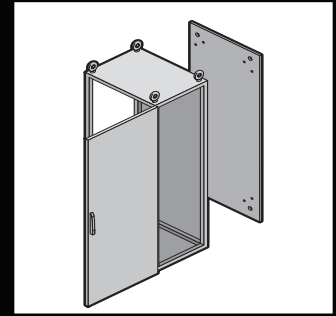
Enclosure frame: Dipcoat-primed
Door, roof and rear wall: Dipcoat-primed, powder-coated in textured RAL 7035 (light gray) on the outside
Mounting panel and gland plates: Zinc-plated

Material:

Sheet steel
Enclosure frame, roof, rear wall and gland plates: 16 ga (1.5 mm)
Door(s): 14 ga (2.0 mm)
Mounting panel: 11 ga (3.0 mm)

Protection Rating:

cULus Type 12
(IP 55 to EN 60 529)
UL file: E76083



Marshalling—See Page 7

Configuration:

Enclosure frame with door (without tubular door frame), rear wall and roof plate

Finish:

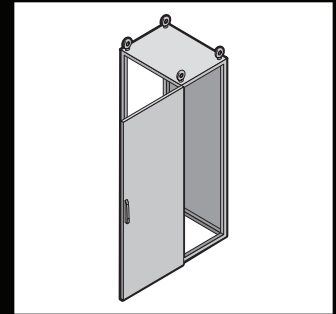
Enclosure frame: Dipcoat-primed
Door, roof and rear wall: Dipcoat-primed, powder-coated in textured RAL 7035 (light gray) on the outside

Material:

Sheet steel
Enclosure frame, roof and rear wall: 16 ga (1.5 mm)
Door: 14 ga (2.0 mm)

Protection Rating:

cULus Type 12
(IP 55 to EN 60 529)



Electronic Enclosures, Single Door—See Page 8

Configuration:

Enclosure frame, front frame (right hinged, opening angle 130°, held with mechanical snap fasteners on left), rear door (right hinged, may be changed to the opposite side), roof, 19" rail sections, gland plates

Finish:

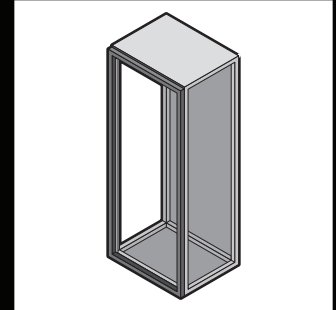
Enclosure frame: Dipcoat-primed
Front frame, rear door, roof: Powder-coated RAL 7035 (light gray)
19" rail sections: Conductive, corrosion-resistant coating
Gland plates: Zinc-plated

Material:

Sheet steel
Enclosure frame: 16 ga (1.5 mm)
Rear door: 14 ga (2.0 mm)
Roof and gland plates: 16 ga (1.5 mm)
19" rail sections: Aluminum
Front frame: Extruded aluminum sections with die-cast corner pieces

Protection Rating:

cULus Type 1 (with rack mounted equipment or solid door)
UL file: E76083



Modular Front Design—See Page 8

Configuration:

Enclosure frame, roof, rear panel, gland plates

Finish:

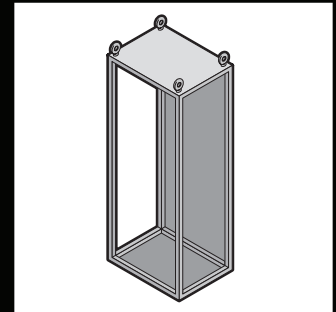
Enclosure frame: Dipcoat-primed
Door and rear panel: Dipcoat-primed, powder-coated in textured RAL 7035 on the outside
Gland plates: Zinc-plated

Material:

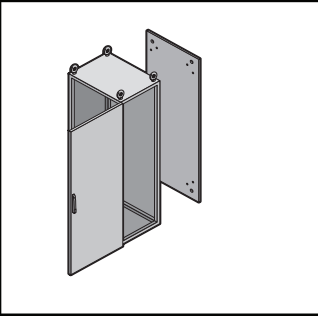
Sheet steel
Enclosure frame, roof, rear panel, and gland plates: 16 ga (1.5 mm)

Protection Rating:

NEMA 12
(with partial doors installed)
(Up to IP 54 to EN 60 529 – dependent on trim panels)



TS 8 Freestanding Enclosure



UL Type 4, IP66, Single Door—See Page 8

Configuration:

Enclosure frame with door, roof/
base plate, rear wall, mounting
panel

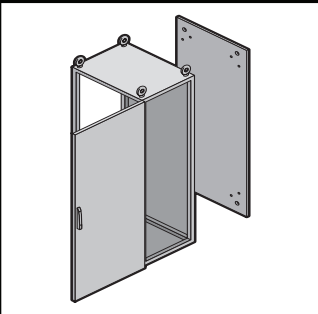
coated, textured RAL 7035
(light gray)
Mounting panel: Zinc-plated

Protection Rating:
cULus Type 4
(IP 66 to EN 60 529)
UL file: E76083

Finish:

Enclosure frame: Dipcoat-
primed and powder coated RAL
7035 (light gray)
Door, roof, base, rear wall:
Dipcoat-primed and powder-

Material:
Sheet steel
Enclosure frame, roof, base, rear
wall: 16 ga (1.5 mm)
Door: 14 ga (2.0 mm)
Mounting panel: 11 ga (3.0 mm)



UL Type 3R, Single Door—See Page 8

Configuration:

Enclosure frame with door, rear
wall and roof plate

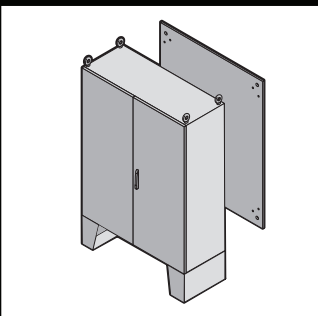
7035 (light gray)
Mounting panel and gland
plates: Zinc-plated

Protection Rating:
cULus Type 3R, 12 - solid door
cULus Type 3R - vented door
UL file: E170282

Finish:

Enclosure frame: Dipcoat-
primed and powder coated RAL
7035 (light gray)
Door, trim panel, roof and rear wall:
Dipcoat-primed powder-coated
on the outside in textured RAL

Material:
Sheet steel
Enclosure frame and doors:
14 ga (2 mm)
Rear walls: 16 ga (1.5 mm)
Mounting Panel: 11 ga (3 mm)
zinc-plated



UL Type 12, Floormount, Double Door—See Page 8 & 9

Configuration:

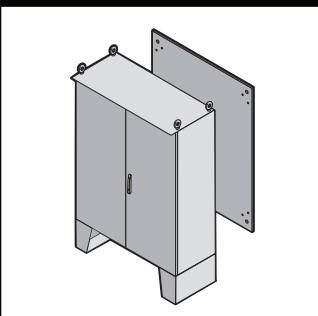
Enclosure frame with doors, 12
inch bolt-on leg kit, mounting
panel, roof plate, rear wall,
sidewalls, solid floor panel,
padlocking comfort handle with
keylocking push button insert

Finish:
Enclosure frame: Dipcoat-primed
Door, roof and rear wall:
Powder-coated in RAL 7035
(light gray) on the outside
Mounting panel: Zinc-plated

Roof, rear wall, solid floor panel,
door: 14 ga (2.0 mm)
Legs, mounting panel: 11 ga
(3.0 mm)

Protection Rating:
cULus Type 12
UL file: E76083

Material:
Sheet steel
Enclosure frame: 16 ga (1.5 mm)



UL Type 3R, Floormount, Double Door—See Page 9

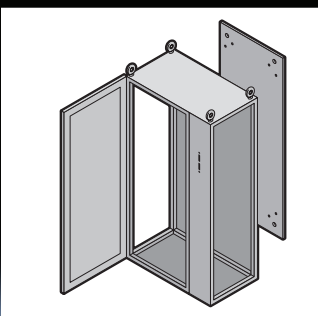
Configuration:

Enclosure frame with doors, 12
inch bolt-on leg kit, mounting
panel, overlapping roof plate,
rear wall, sidewalls, solid floor
panel, padlocking comfort
handle with keylocking push
button insert

Finish:
Enclosure frame:
Dipcoat-primed and
powder coated
Door, roof and rear wall:
Powder-coated in RAL 7035
(light gray) on the outside
Mounting panel: Zinc-plated

Material:
Sheet steel
Enclosure frame: 16 ga (1.5 mm)
Roof, rear wall, solid floor panel,
door: 14 ga (2.0 mm)
Legs, mounting panel: 11 ga
(3.0 mm)

Protection Rating:
cULus Type 12
UL file: E170282



UL Type 12, IP 55, Single & Double Door Disconnect—See Page 9 & 10

Configuration:

Enclosure frame, door (left
hinged), trim panel (right hinged),
with a swing lever at the top and
bottom, with cutout for
disconnect handle), roof, rear
wall, mounting panel, three-piece
gland plates. Includes handle
interlocking kit 8611.310.

Finish:
Enclosure frame: Dipcoat-primed
Door, trim panel, roof, and rear
wall: Dipcoat-primed, powder
coated on the outside in
textured RAL 7035 (light gray)
Mounting panel and gland
plates: Zinc-plated

Door and trim panel:
14 ga (2.0 mm)
Mounting panel: 11 ga (3.0 mm)

Protection Rating:
cULus Type 12
(IP 55 to EN 60 529/10.91)
(With disconnect handle
installed)
UL file: E76083

Material:
Sheet steel
Enclosure frame, roof, rear wall,
and gland plates: 16 ga (1.5 mm)

TS 8 Freestanding Enclosure

UL Type 12 Floormount Disconnect, Double Door—See Page 10

Configuration:

Enclosure frame, removable center mullion, two doors (both left hinged), trim panel (right hinged with swing lever at the top and bottom, with cut-out for disconnect handle), 12 inch bolt-on leg kit, mounting panel, roof, rear wall, sidewalls, solid floor panel, comfort handle with pad lock hasp and screwdriver insert. Includes handle interlocking kit (8611.310) for the main door as

well as the adjacent door locking kit (4911.000) and interlocking rods for the adjacent door.

Finish:

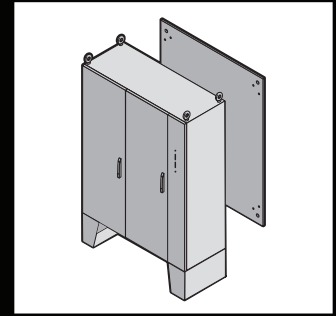
Enclosure frame: Dipcoat-primed
Door, roof, rear wall and floor panel: Dipcoat-primed and powder coated in RAL 7035 (light gray) on the outside
Mounting panel: Zinc-plated

Material:

Sheet steel
Enclosure frame: 16 ga (1.5 mm)
Roof, door, rear wall, solid floor panel: 14 ga (2.0 mm)
Legs, mounting panel: 11 ga (3.0 mm)

Protection Rating:

cULus Type 12
UL file: E76083



Stainless Steel UL Type 12, IP 55 Single & Double Door—Type 304—See Page 10

Configuration:

Enclosure frame with door(s), mounting panel, gland plates, rear panel and roof, 2 support strips mounted in the enclosure depth (only with a depth of 24" [600 mm]).

Material:

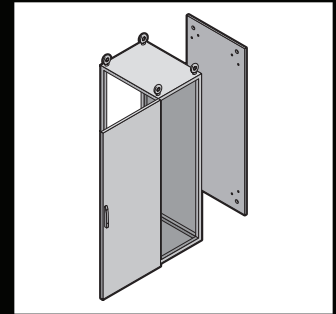
Type 304 stainless steel
Enclosure frame, roof, rear panel and gland plates: 16 ga (1.5 mm)
Door(s): 14 ga (2.0 mm)
Mounting panel: Sheet steel, 11 ga (3.0 mm)

Finish:

Enclosure frame and gland plates: Uncoated
Door, roof and rear panel: Brushed on the outside, grain size 400
Mounting panel: Zinc-plated

Protection Rating:

cULus Type 12
(IP 55 to EN 60 529)
UL file: E76083



Stainless Steel UL Type 4X, IP 66 Single Door—Type 304/316L—See Page 10

Configuration:

Enclosure frame with door, roof/base plate, rear wall, mounting panel.

Material:

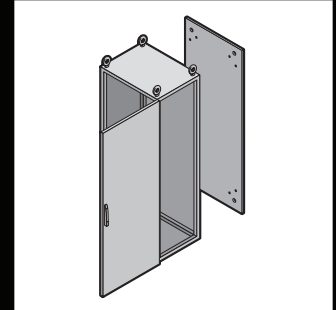
Type 304/316L stainless steel
Enclosure frame, roof, base, rear wall: 16 ga (1.5 mm)
Door: 14 ga (2.0 mm)
Mounting panel: 11 ga (3.0 mm)

Finish:

Enclosure frame: Type 304 stainless steel, door, roof, base, rear wall: Brushed
Mounting panel: Zinc-plated

Protection Rating:

cULus Type 4X
(IP 66 to EN 60 529)
UL file: E76083



Stainless Steel UL Type 4X, IP 66 Floormount Double Door —Type 304—See Page 11

Configuration:

Enclosure frames (bayed) with mounting panel slide rails for side access, full size mounting panel, doors, roofs with eyebolts, solid floor panels, rear walls, sidewalls, 12 inch bolt-on leg kit.

Material:

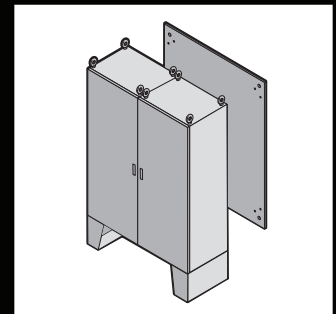
Type 304 stainless steel
Enclosure frames, roofs, solid floor panel, rear walls, sidewalls: 16 ga (1.5 mm)
Doors: 14 ga (2.0 mm)
Mounting panel, legs: 11 ga (3.0 mm)

Finish:

Enclosure frames: Type 304 stainless steel
Doors, roofs, solid floor panels, rear walls, sidewalls and legs: Brushed, grain size 400
Mounting panel: Zinc-plated

Protection Rating:

cULus Type 4X
(IP 66 to EN 60 529)
UL file: E76083



TS 8 Freestanding Enclosure

UL Type 12, IP 55, Single Door

| Part Number | HxWxD inches | HxWxD mm | Sidewalls (Pair) | Mounting Panel HxW inches | Mounting Panel HxW mm | 4" (100 mm) High Plinth, Front & Rear | 4" (100 mm) High Plinth, Sides | 8" (200 mm) High Plinth, Front & Rear | 8" (200 mm) High Plinth, Sides |
|-------------|--------------|---------------|------------------|---------------------------|-----------------------|---------------------------------------|--------------------------------|---------------------------------------|--------------------------------|
| 8615.500 | 47x24x20 | 1200x600x500 | 8115.235 | 43x20 | 1096x499 | 8601.600 | 8601.050 | 8602.600 | 8602.050 |
| 8815.500 | 47x32x20 | 1200x800x500 | 8115.235 | 43x28 | 1096x699 | 8601.800 | 8601.050 | 8602.800 | 8602.050 |
| 8645.500 | 55x24x20 | 1400x600x500 | 8145.235 | 51x20 | 1296x499 | 8601.600 | 8601.050 | 8602.600 | 8602.050 |
| 8845.500 | 55x32x20 | 1400x800x500 | 8145.235 | 51x28 | 1296x699 | 8601.800 | 8601.050 | 8602.800 | 8602.050 |
| 8646.500 | 55x24x24 | 1400x600x600 | 8146.235 | 51x20 | 1296x499 | 8601.600 | 8601.060 | 8602.600 | 8602.060 |
| 8846.500 | 55x32x24 | 1400x800x600 | 8146.235 | 51x28 | 1296x699 | 8601.800 | 8601.060 | 8602.800 | 8602.060 |
| 8648.500 | 55x24x32 | 1400x600x800 | 8148.235 | 51x20 | 1296x499 | 8601.600 | 8601.080 | 8602.600 | 8602.080 |
| 8848.500 | 55x32x32 | 1400x800x800 | 8148.235 | 51x28 | 1296x699 | 8601.800 | 8601.080 | 8602.800 | 8602.080 |
| 8665.500 | 63x24x20 | 1600x600x500 | 8165.235 | 59x20 | 1496x499 | 8601.600 | 8601.050 | 8602.600 | 8602.050 |
| 8865.500 | 63x32x20 | 1600x800x500 | 8165.235 | 59x28 | 1496x699 | 8601.800 | 8601.050 | 8602.800 | 8602.050 |
| 8666.500 | 63x24x24 | 1600x600x600 | 8166.235 | 59x20 | 1496x499 | 8601.600 | 8601.060 | 8602.600 | 8602.060 |
| 8866.500 | 63x32x24 | 1600x800x600 | 8166.235 | 59x28 | 1496x699 | 8601.800 | 8601.060 | 8602.800 | 8602.060 |
| 8668.500 | 63x24x32 | 1600x600x800 | 8168.235 | 59x20 | 1496x499 | 8601.600 | 8601.080 | 8602.600 | 8602.080 |
| 8868.500 | 63x32x32 | 1600x800x800 | 8168.235 | 59x28 | 1496x699 | 8601.800 | 8601.080 | 8602.800 | 8602.080 |
| 8684.500 | 71x24x16 | 1800x600x400 | 8184.235 | 67x20 | 1696x499 | 8601.600 | 8601.040 | 8602.600 | 8602.040 |
| 8884.500 | 71x32x16 | 1800x800x400 | 8184.235 | 67x28 | 1696x699 | 8601.800 | 8601.040 | 8602.800 | 8602.040 |
| 8084.500 | 71x39x16 | 1800x1000x400 | 8184.235 | 67x35 | 1696x899 | 8601.000 | 8601.040 | 8602.000 | 8602.040 |
| 8685.500 | 71x24x20 | 1800x600x500 | 8185.235 | 67x20 | 1696x499 | 8601.600 | 8601.050 | 8602.600 | 8602.050 |
| 8885.500 | 71x32x20 | 1800x800x500 | 8185.235 | 67x28 | 1696x699 | 8601.800 | 8601.050 | 8602.800 | 8602.050 |
| 8085.500 | 71x39x20 | 1800x1000x500 | 8185.235 | 67x35 | 1696x899 | 8601.000 | 8601.050 | 8602.000 | 8602.050 |
| 8686.500 | 71x24x24 | 1800x600x600 | 8186.235 | 67x20 | 1696x499 | 8601.600 | 8601.060 | 8602.600 | 8602.060 |
| 8886.500 | 71x32x24 | 1800x800x600 | 8186.235 | 67x28 | 1696x699 | 8601.800 | 8601.060 | 8602.800 | 8602.060 |
| 8086.500 | 71x40x24 | 1800x1000x600 | 8186.235 | 67x35 | 1696x899 | 8601.000 | 8601.060 | 8602.000 | 8602.060 |
| 8688.500 | 71x24x32 | 1800x600x800 | 8188.235 | 67x20 | 1696x499 | 8601.600 | 8601.080 | 8602.600 | 8602.080 |
| 8888.500 | 71x32x32 | 1800x800x800 | 8188.235 | 67x28 | 1696x699 | 8601.800 | 8601.080 | 8602.800 | 8602.080 |
| 8088.500 | 71x39x32 | 1800x1000x800 | 8188.235 | 67x35 | 1696x899 | 8601.000 | 8601.080 | 8602.000 | 8602.080 |
| 8604.500 | 79x24x16 | 2000x600x400 | 8104.235 | 75x20 | 1896x499 | 8601.600 | 8601.040 | 8602.600 | 8602.040 |
| 8804.500 | 79x32x16 | 2000x800x400 | 8104.235 | 75x28 | 1896x699 | 8601.800 | 8601.040 | 8602.800 | 8602.040 |
| 8405.500 | 79x16x20 | 2000x400x500 | 8105.235 | 75x12 | 1896x299 | 8601.400 | 8601.050 | 8602.400 | 8602.050 |
| 8605.500 | 79x24x20 | 2000x600x500 | 8105.235 | 75x20 | 1896x499 | 8601.600 | 8601.050 | 8602.600 | 8602.050 |
| 8805.500 | 79x32x20 | 2000x800x500 | 8105.235 | 75x28 | 1896x699 | 8601.800 | 8601.050 | 8602.800 | 8602.050 |
| 8406.500 | 79x16x24 | 2000x400x600 | 8106.235 | 75x12 | 1896x299 | 8601.400 | 8601.060 | 8602.400 | 8602.060 |
| 8606.500 | 79x24x24 | 2000x600x600 | 8106.235 | 75x20 | 1896x499 | 8601.600 | 8601.060 | 8602.600 | 8602.060 |
| 8806.500 | 79x32x24 | 2000x800x600 | 8106.235 | 75x28 | 1896x699 | 8601.800 | 8601.060 | 8602.800 | 8602.060 |
| 8006.530 | 79x39x24 | 2000x1000x600 | 8106.235 | 75x35 | 1896x899 | 8601.000 | 8601.060 | 8602.000 | 8602.060 |
| 8608.500 | 79x24x32 | 2000x600x800 | 8108.235 | 75x20 | 1896x499 | 8601.600 | 8601.080 | 8602.600 | 8602.080 |
| 8808.500 | 79x32x32 | 2000x800x800 | 8108.235 | 75x28 | 1896x699 | 8601.800 | 8601.080 | 8602.800 | 8602.080 |
| 8008.530 | 79x39x32 | 2000x1000x800 | 8108.235 | 75x35 | 1896x899 | 8601.000 | 8601.080 | 8602.000 | 8602.080 |
| 8625.500 | 87x24x20 | 2200x600x500 | 8125.235 | 83x20 | 2096x499 | 8601.600 | 8601.050 | 8602.600 | 8602.050 |
| 8825.500 | 87x32x20 | 2200x800x500 | 8125.235 | 83x28 | 2096x699 | 8601.800 | 8601.050 | 8602.800 | 8602.050 |
| 8025.500 | 87x39x20 | 2200x1000x500 | 8125.235 | 83x35 | 2096x899 | 8601.000 | 8601.050 | 8602.000 | 8602.050 |
| 8426.500 | 87x16x24 | 2200x400x600 | 8126.235 | 83x12 | 2096x299 | 8601.400 | 8601.060 | 8602.400 | 8602.060 |
| 8626.500 | 87x24x24 | 2200x600x600 | 8126.235 | 83x20 | 2096x499 | 8601.600 | 8601.060 | 8602.600 | 8602.060 |
| 8826.500 | 87x32x24 | 2200x800x600 | 8126.235 | 83x28 | 2096x699 | 8601.800 | 8601.060 | 8602.800 | 8602.060 |
| 8026.500 | 87x39x24 | 2200x1000x600 | 8126.235 | 83x35 | 2096x899 | 8601.000 | 8601.060 | 8602.000 | 8602.060 |
| 8628.500 | 87x24x32 | 2200x600x800 | 8128.235 | 83x20 | 2096x499 | 8601.600 | 8601.080 | 8602.600 | 8602.080 |
| 8828.500 | 87x32x32 | 2200x800x800 | 8128.235 | 83x28 | 2096x699 | 8601.800 | 8601.080 | 8602.800 | 8602.080 |
| 8028.500 | 87x39x32 | 2200x1000x800 | 8128.235 | 83x35 | 2096x899 | 8601.000 | 8601.080 | 8602.000 | 8602.080 |

TS 8 Freestanding Enclosure

UL Type 12, IP 55, Double Door

| Part Number | HxWxD inches | HxWxD mm | Sidewalls (Pair) | Mounting Panel HxW inches | Mounting Panel HxW mm | 4" (100 mm) High Plinth, Front & Rear | 4" (100 mm) High Plinth, Sides | 8" (200 mm) High Plinth, Front & Rear | 8" (200 mm) High Plinth, Sides |
|-------------|--------------|---------------|------------------|---------------------------|-----------------------|---------------------------------------|--------------------------------|---------------------------------------|--------------------------------|
| 8215.500 | 47x47x20 | 1200x1200x500 | 8115.235 | 43x43 | 1096x1099 | 8601.200 | 8601.050 | 8602.200 | 8602.050 |
| 8245.500 | 55x47x20 | 1400x1200x500 | 8145.235 | 51x43 | 1296x1099 | 8601.200 | 8601.050 | 8602.200 | 8602.050 |
| 8246.500 | 55x47x24 | 1400x1200x600 | 8146.235 | 51x43 | 1296x1099 | 8601.200 | 8601.060 | 8602.200 | 8602.060 |
| 8248.500 | 55x47x32 | 1400x1200x800 | 8148.235 | 51x43 | 1296x1099 | 8601.200 | 8601.080 | 8602.200 | 8602.080 |
| 8265.500 | 63x47x20 | 1600x1200x500 | 8165.235 | 59x43 | 1496x1099 | 8601.200 | 8601.050 | 8602.200 | 8602.050 |
| 8266.500 | 63x47x24 | 1600x1200x600 | 8166.235 | 59x43 | 1496x1099 | 8601.200 | 8601.060 | 8602.200 | 8602.060 |
| 8268.500 | 63x47x32 | 1600x1200x800 | 8168.235 | 59x43 | 1496x1099 | 8601.200 | 8601.080 | 8602.200 | 8602.080 |
| 8080.500 | 71x39x16 | 1800x1000x400 | 8184.235 | 67x35 | 1696x899 | 8601.000 | 8601.040 | 8602.000 | 8602.040 |
| 8284.500 | 71x47x16 | 1800x1200x400 | 8184.235 | 67x43 | 1696x1099 | 8601.200 | 8601.040 | 8602.200 | 8602.040 |
| 8901.210 | 71x63x16 | 1800x1600x400 | 8184.235 | 67x59 | 1696x1499 | 8601.920 | 8601.040 | 8602.920 | 8602.040 |
| 8901.250 | 71x71x16 | 1800x1800x400 | 8184.235 | 67x67 | 1696x1699 | 8901.920 | 8601.040 | 8901.930 | 8602.040 |
| 8880.500 | 71x32x20 | 1800x800x500 | 8185.235 | 67x28 | 1696x699 | 8601.800 | 8601.050 | 8602.800 | 8602.050 |
| 8285.500 | 71x47x20 | 1800x1200x500 | 8185.235 | 67x43 | 1696x1099 | 8601.200 | 8601.050 | 8602.200 | 8602.050 |
| 8901.220 | 71x63x20 | 1800x1600x500 | 8185.235 | 67x59 | 1696x1499 | 8601.920 | 8601.050 | 8602.920 | 8602.050 |
| 8901.260 | 71x71x20 | 1800x1800x500 | 8185.235 | 67x67 | 1696x1699 | 8901.920 | 8601.050 | 8901.930 | 8602.050 |
| 8881.500 | 71x32x24 | 1800x800x600 | 8186.235 | 67x28 | 1696x699 | 8601.800 | 8601.060 | 8602.800 | 8602.060 |
| 8286.500 | 71x47x24 | 1800x1200x600 | 8186.235 | 67x43 | 1696x1099 | 8601.200 | 8601.060 | 8602.200 | 8602.060 |
| 8901.230 | 71x63x24 | 1800x1600x600 | 8186.235 | 67x59 | 1696x1499 | 8601.920 | 8601.060 | 8602.920 | 8602.060 |
| 8901.270 | 71x71x24 | 1800x1800x600 | 8186.235 | 67x67 | 1696x1699 | 8901.920 | 8601.060 | 8901.930 | 8602.060 |
| 8288.500 | 71x47x32 | 1800x1200x800 | 8188.235 | 67x43 | 1696x1099 | 8601.200 | 8601.080 | 8602.200 | 8602.080 |
| 8901.240 | 71x63x32 | 1800x1600x800 | 8188.235 | 67x59 | 1696x1499 | 8601.920 | 8601.080 | 8602.920 | 8602.080 |
| 8901.280 | 71x71x32 | 1800x1800x800 | 8188.235 | 67x67 | 1696x1699 | 8901.920 | 8601.080 | 8901.930 | 8602.080 |
| 8004.500 | 79x39x16 | 2000x1000x400 | 8104.235 | 75x35 | 1896x899 | 8601.000 | 8601.040 | 8602.000 | 8602.040 |
| 8204.500 | 79x47x16 | 2000x1200x400 | 8104.235 | 75x43 | 1896x1099 | 8601.200 | 8601.040 | 8602.200 | 8602.040 |
| 8005.500 | 79x39x20 | 2000x1000x500 | 8105.235 | 75x35 | 1896x899 | 8601.000 | 8601.050 | 8602.000 | 8602.050 |
| 8205.500 | 79x47x20 | 2000x1200x500 | 8105.235 | 75x43 | 1896x1099 | 8601.200 | 8601.050 | 8602.200 | 8602.050 |
| 8901.290 | 79x63x20 | 2000x1600x500 | 8105.235 | 75x59 | 1896x1499 | 8601.920 | 8601.050 | 8602.920 | 8602.050 |
| 8901.420 | 79x71x20 | 2000x1800x500 | 8105.235 | 75x67 | 1896x1699 | 8901.920 | 8601.050 | 8901.930 | 8602.050 |
| 8006.500 | 79x39x24 | 2000x1000x600 | 8106.235 | 75x35 | 1896x899 | 8601.000 | 8601.060 | 8602.000 | 8602.060 |
| 8206.500 | 79x47x24 | 2000x1200x600 | 8106.235 | 75x43 | 1896x1099 | 8601.200 | 8601.060 | 8602.200 | 8602.060 |
| 8901.400 | 79x63x24 | 2000x1600x600 | 8106.235 | 75x59 | 1896x1499 | 8601.920 | 8601.060 | 8602.920 | 8602.060 |
| 8901.430 | 79x71x24 | 2000x1800x600 | 8106.235 | 75x67 | 1896x1699 | 8901.920 | 8601.060 | 8901.930 | 8602.060 |
| 8008.500 | 79x39x32 | 2000x1000x800 | 8108.235 | 75x35 | 1896x899 | 8601.000 | 8601.080 | 8602.000 | 8602.080 |
| 8208.500 | 79x47x32 | 2000x1200x800 | 8108.235 | 75x43 | 1896x1099 | 8601.200 | 8601.080 | 8602.200 | 8602.080 |
| 8901.410 | 79x63x32 | 2000x1600x800 | 8108.235 | 75x59 | 1896x1499 | 8601.920 | 8601.080 | 8602.920 | 8602.080 |
| 8901.440 | 79x71x32 | 2000x1800x800 | 8108.235 | 75x67 | 1896x1699 | 8901.920 | 8601.080 | 8901.930 | 8602.080 |
| 8225.500 | 87x47x20 | 2200x1200x500 | 8125.235 | 83x43 | 2096x1099 | 8601.200 | 8601.050 | 8602.200 | 8602.050 |
| 8226.500 | 87x47x24 | 2200x1200x600 | 8126.235 | 83x43 | 2096x1099 | 8601.200 | 8601.060 | 8602.200 | 8602.060 |
| 8228.500 | 87x47x32 | 2200x1200x800 | 8128.235 | 83x43 | 2096x1099 | 8901.920 | 8601.080 | 8901.930 | 8602.080 |

Marshalling Enclosure

| Part Number | HxWxD inches | HxWxD mm | Sidewalls (Pair) | Mounting Panel HxW inches | Mounting Panel HxW mm | 4" (100 mm) High Plinth, Front & Rear | 4" (100 mm) High Plinth, Sides | 8" (200 mm) High Plinth, Front & Rear | 8" (200 mm) High Plinth, Sides |
|-------------|--------------|--------------|------------------|---------------------------|-----------------------|---------------------------------------|--------------------------------|---------------------------------------|--------------------------------|
| 8485.510 | 71x16x20 | 1800x400x500 | 8185.235 | - | - | 8601.400 | 8601.050 | 8602.400 | 8602.050 |
| 8486.510 | 71x16x24 | 1800x400x600 | 8186.235 | - | - | 8601.400 | 8601.060 | 8602.400 | 8602.060 |
| 8405.510 | 79x16x20 | 2000x400x500 | 8105.235 | - | - | 8601.400 | 8601.050 | 8602.400 | 8602.050 |
| 8406.510 | 79x16x24 | 2000x400x600 | 8106.235 | - | - | 8601.400 | 8601.060 | 8602.400 | 8602.060 |

TS 8 Freestanding Enclosure

Electronic Enclosures, Single Door

| Part Number | U | HxWxD inches | HxWxD mm | Sidewalls (Pair) | 4" (100 mm) High Plinth, Front & Rear | 4" (100 mm) High Plinth, Sides | 8" (200 mm) High Plinth, Front & Rear | 8" (200 mm) High Plinth, Sides |
|-------------|----|--------------|--------------|------------------|---------------------------------------|--------------------------------|---------------------------------------|--------------------------------|
| 8410.510 | 33 | 63x24x24 | 1600x600x600 | 8166.235 | 8601.600 | 8601.060 | 8602.600 | 8602.060 |
| 8418.510 | 33 | 63x24x32 | 1600x600x800 | 8168.235 | 8601.600 | 8601.080 | 8602.600 | 8602.080 |
| 8430.510 | 42 | 79x24x24 | 2000x600x600 | 8106.235 | 8601.600 | 8601.060 | 8602.600 | 8602.060 |
| 8438.510 | 42 | 79x24x32 | 2000x600x800 | 8108.235 | 8601.600 | 8601.080 | 8602.600 | 8602.080 |

Modular Front Design

| Part Number | HxWxD inches | HxWxD mm | Sidewalls (Pair) | Mounting Panel HxW inches | Mounting Panel HxW mm | 4" (100 mm) High Plinth, Front & Rear | 4" (100 mm) High Plinth, Sides | 8" (200 mm) High Plinth, Front & Rear | 8" (200 mm) High Plinth, Sides |
|-------------|--------------|--------------|------------------|---------------------------|-----------------------|---------------------------------------|--------------------------------|---------------------------------------|--------------------------------|
| 8606.512 | 79x24x24 | 2000x600x600 | 8106.512 | - | - | 8601.600 | 8601.060 | 8602.600 | 8602.060 |
| 8806.512 | 79x32x24 | 2000x800x600 | 8106.512 | - | - | 8601.800 | 8601.060 | 8602.800 | 8602.060 |

See page 15 for Modular Front Design accessories

UL Type 4, IP66, Single Door

| Part Number | HxWxD inches | HxWxD mm | Sidewalls (Pair) | Mounting Panel HxW inches | Mounting Panel HxW mm | 4" (100 mm) High Plinth, Front & Rear | 4" (100 mm) High Plinth, Sides | 8" (200 mm) High Plinth, Front & Rear | 8" (200 mm) High Plinth, Sides |
|-------------|--------------|---------------|------------------|---------------------------|-----------------------|---------------------------------------|--------------------------------|---------------------------------------|--------------------------------|
| 8806.580 | 79x32x24 | 2000x800x600* | 8106.235 | 75x28 | 1896x699 | 8601.800 | 8601.060 | 8602.800 | 8602.060 |

Other sizes available upon request

UL Type 3R, Single Door

| Part Number | HxWxD inches | HxWxD mm | Sidewalls (Pair) | Mounting Panel HxW inches | Mounting Panel HxW mm | 4" (100 mm) High Plinth, Front & Rear | 4" (100 mm) High Plinth, Sides | 8" (200 mm) High Plinth, Front & Rear | 8" (200 mm) High Plinth, Sides |
|-------------|--------------|---------------|------------------|---------------------------|-----------------------|---------------------------------------|--------------------------------|---------------------------------------|--------------------------------|
| 8606.548 | 79x24x24 | 2000x600x600 | 8106.235 | 75x20 | 1896x499 | 8601.600 | 8601.060 | 8602.600 | 8602.060 |
| 8608.548 | 79x24x32 | 2000x600x800 | 8108.235 | 75x20 | 1896x499 | 8601.600 | 8601.080 | 8602.600 | 8602.080 |
| 8806.548 | 79x32x24 | 2000x800x600 | 8106.235 | 75x28 | 1896x699 | 8601.800 | 8601.060 | 8602.800 | 8602.060 |
| 8808.548 | 79x32x32 | 2000x800x800 | 8108.235 | 75x28 | 1896x699 | 8601.800 | 8601.080 | 8602.800 | 8602.080 |
| 8006.548 | 79x39x24 | 2000x1000x600 | 8106.235 | 75x20 | 1896x499 | 8601.000 | 8601.060 | 8602.000 | 8602.060 |
| 8008.548 | 79x39x32 | 2000x1000x800 | 8108.235 | 75x35 | 1896x899 | 8601.000 | 8601.080 | 8602.000 | 8602.080 |
| 8626.548 | 87x24x24 | 2200x600x600 | 8126.235 | 83x20 | 2096x499 | 8601.600 | 8601.060 | 8602.600 | 8602.060 |
| 8628.548 | 87x24x32 | 2200x600x800 | 8128.235 | 83x20 | 2096x499 | 8601.600 | 8601.080 | 8602.600 | 8602.080 |
| 8826.548 | 87x32x24 | 2200x800x600 | 8126.235 | 83x20 | 2096x499 | 8601.600 | 8601.060 | 8602.600 | 8602.060 |
| 8828.548 | 87x32x32 | 2200x800x800 | 8128.235 | 83x28 | 2096x699 | 8601.800 | 8601.080 | 8602.800 | 8602.080 |
| 8026.548 | 87x39x24 | 2200x1000x600 | 8126.235 | 83x35 | 2096x899 | 8601.000 | 8601.060 | 8602.000 | 8602.060 |
| 8028.548 | 87x39x32 | 2200x1000x800 | 8128.235 | 83x35 | 2096x899 | 8601.000 | 8601.080 | 8602.000 | 8602.080 |

UL Type 12, Floormount, Double Door

| Part Number | HxWxD inches | HxWxD mm | Sidewalls (Pair) | Mounting Panel HxW inches | Mounting Panel HxW mm | 4" (100 mm) High Plinth, Front & Rear | 4" (100 mm) High Plinth, Sides | 8" (200 mm) High Plinth, Front & Rear | 8" (200 mm) High Plinth, Sides |
|--------------|--------------|---------------|------------------|---------------------------|-----------------------|---------------------------------------|--------------------------------|---------------------------------------|--------------------------------|
| TSFM634712NC | 63x47x12 | 1600x1200x300 | Included | 59x43 | 1496x1099 | Not Required | Not Required | Not Required | Not Required |
| TSFM636312NC | 63x63x12 | 1600x1600x300 | Included | 59x59 | 1496x1499 | Not Required | Not Required | Not Required | Not Required |
| TSFM716312NC | 71x63x12 | 1800x1600x300 | Included | 67x59 | 1696x1499 | Not Required | Not Required | Not Required | Not Required |
| TSFM717112NC | 71x71x12 | 1800x1800x300 | Included | 67x67 | 1696x1699 | Not Required | Not Required | Not Required | Not Required |
| TSFM634716NC | 63x47x16 | 1600x1200x400 | Included | 59x43 | 1496x1099 | Not Required | Not Required | Not Required | Not Required |
| TSFM636316NC | 63x63x16 | 1600x1600x400 | Included | 59x59 | 1496x1499 | Not Required | Not Required | Not Required | Not Required |
| TSFM716316NC | 71x63x16 | 1800x1600x400 | Included | 67x59 | 1696x1499 | Not Required | Not Required | Not Required | Not Required |
| TSFM717116NC | 71x71x16 | 1800x1800x400 | Included | 67x67 | 1696x1699 | Not Required | Not Required | Not Required | Not Required |

TS 8 Freestanding Enclosure

UL Type 12, Floormount, Double Door (continued)

| Part Number | HxWxD inches | HxWxD mm | Sidewalls (Pair) | Mounting Panel HxW inches | Mounting Panel HxW mm | 4" (100 mm) High Plinth, Front & Rear | 4" (100 mm) High Plinth, Sides | 8" (200 mm) High Plinth, Front & Rear | 8" (200 mm) High Plinth, Sides |
|--------------|--------------|---------------|------------------|---------------------------|-----------------------|---------------------------------------|--------------------------------|---------------------------------------|--------------------------------|
| TSMF634720NC | 63x47x20 | 1600x1200x500 | Included | 59x43 | 1496x1099 | Not Required | Not Required | Not Required | Not Required |
| TSMF716320NC | 71x63x20 | 1800x1600x500 | Included | 67x59 | 1696x1499 | Not Required | Not Required | Not Required | Not Required |
| TSMF717120NC | 71x71x20 | 1800x1800x500 | Included | 67x67 | 1696x1699 | Not Required | Not Required | Not Required | Not Required |
| TSMF634724NC | 63x47x24 | 1600x1200x600 | Included | 59x43 | 1496x1099 | Not Required | Not Required | Not Required | Not Required |
| TSMF636324NC | 63x63x24 | 1600x1600x600 | Included | 59x59 | 1496x1499 | Not Required | Not Required | Not Required | Not Required |
| TSMF716324NC | 71x63x24 | 1800x1600x600 | Included | 67x59 | 1696x1499 | Not Required | Not Required | Not Required | Not Required |
| TSMF717124NC | 71x71x24 | 1800x1800x600 | Included | 67x67 | 1696x1699 | Not Required | Not Required | Not Required | Not Required |

UL Type 3R, Floormount, Double Door

| Part Number | HxWxD inches | HxWxD mm | Sidewalls (Pair) | Mounting Panel HxW inches | Mounting Panel HxW mm | 4" (100 mm) High Plinth, Front & Rear | 4" (100 mm) High Plinth, Sides | 8" (200 mm) High Plinth, Front & Rear | 8" (200 mm) High Plinth, Sides |
|---------------|--------------|---------------|------------------|---------------------------|-----------------------|---------------------------------------|--------------------------------|---------------------------------------|--------------------------------|
| TSMF634716NCR | 63x47x16 | 1600x1200x400 | Included | 59x43 | 1496x1099 | Not Required | Not Required | Not Required | Not Required |
| TSMF636316NCR | 63x63x16 | 1600x1600x400 | Included | 59x59 | 1496x1499 | Not Required | Not Required | Not Required | Not Required |
| TSMF634720NCR | 63x47x20 | 1600x1200x500 | Included | 59x43 | 1496x1099 | Not Required | Not Required | Not Required | Not Required |
| TSMF636320NCR | 63x63x20 | 1600x1600x500 | Included | 59x59 | 1496x1499 | Not Required | Not Required | Not Required | Not Required |
| TSMF716316NCR | 71x63x16 | 1800x1600x400 | Included | 67x59 | 1696x1499 | Not Required | Not Required | Not Required | Not Required |
| TSMF717116NCR | 71x71x16 | 1800x1800x400 | Included | 67x67 | 1696x1699 | Not Required | Not Required | Not Required | Not Required |
| TSMF716320NCR | 71x63x20 | 1800x1600x500 | Included | 67x59 | 1696x1699 | Not Required | Not Required | Not Required | Not Required |
| TSMF747120NCR | 71x71x20 | 1800x1800x500 | Included | 67x67 | 1696x1699 | Not Required | Not Required | Not Required | Not Required |
| TSMF717124NCR | 71x71x24 | 1800x1800x600 | Included | 67x67 | 1696x1699 | Not Required | Not Required | Not Required | Not Required |

UL Type 12, IP 55, Disconnect, Single Door

| Part Number | HxWxD inches | HxWxD mm | Sidewalls (Pair) | Mounting Panel HxW inches | Mounting Panel HxW mm | 4" (100 mm) High Plinth, Front & Rear | 4" (100 mm) High Plinth, Sides | 8" (200 mm) High Plinth, Front & Rear | 8" (200 mm) High Plinth, Sides |
|-------------|--------------|---------------|------------------|---------------------------|-----------------------|---------------------------------------|--------------------------------|---------------------------------------|--------------------------------|
| 9951.130 | 55x32x20 | 1400x800x500 | 8184.235 | 51x28 | 1296x699 | 8601.800 | 8601.050 | 8602.800 | 8602.050 |
| 9951.131 | 55x39x20 | 1400x1000x500 | 8145.235 | 51x35 | 1296x899 | 8601.000 | 8601.050 | 8602.000 | 8602.050 |
| 9951.134 | 71x32x16 | 1800x800x400 | 8184.235 | 67x28 | 1696x699 | 8601.800 | 8601.040 | 8602.800 | 8602.040 |
| 9951.135 | 71x32x20 | 1800x800x500 | 8185.235 | 67x28 | 1696x699 | 8601.800 | 8601.050 | 8602.800 | 8602.050 |
| 9951.136 | 71x39x20 | 1800x1000x500 | 8185.235 | 67x35 | 1696x699 | 8601.000 | 8601.050 | 8602.000 | 8602.050 |
| 9951.142 | 79x32x20 | 2000x800x500 | 8105.235 | 75x28 | 1896x699 | 8601.800 | 8601.050 | 8602.800 | 8602.050 |
| 9151.143 | 79x31x24 | 2000x800x600 | 8106.235 | 75x28 | 1896x699 | 8601.800 | 8601.060 | 8602.800 | 8602.060 |
| 9951.146 | 79x39x24 | 2000x1000x600 | 8106.235 | 75x35 | 1896x899 | 8601.000 | 8601.060 | 8602.000 | 8602.060 |
| 9951.144 | 79x31x31 | 2000x800x800 | 8108.235 | 75x28 | 1896x699 | 8601.800 | 8601.080 | 8602.800 | 8602.080 |
| 9951.154 | 87x39x20 | 2200x100x500 | 8126.235 | 83x35 | 2096x899 | 8601.000 | 8601.050 | 8602.800 | 8602.050 |
| 9951.153 | 87x31x24 | 2200x800x600 | 8126.235 | 83x28 | 2096x699 | 8601.800 | 8601.606 | 8602.800 | 8602.050 |

UL Type 12, IP 55, Disconnect, Double Door

| Part Number | HxWxD inches | HxWxD mm | Sidewalls (Pair) | Mounting Panel HxW inches | Mounting Panel HxW mm | 4" (100 mm) High Plinth, Front & Rear | 4" (100 mm) High Plinth, Sides | 8" (200 mm) High Plinth, Front & Rear | 8" (200 mm) High Plinth, Sides |
|-------------|--------------|---------------|------------------|---------------------------|-----------------------|---------------------------------------|--------------------------------|---------------------------------------|--------------------------------|
| 9951.137 | 55x63x20 | 1400x1600x500 | 8145.235 | 67x59 | 1696x1499 | 8601.920 | 8601.050 | 8602.920 | 8602.050 |
| 9951.138 | 71x63x20 | 1800x1600x500 | 8185.235 | 67x59 | 1696x1499 | 8601.920 | 8601.050 | 8602.920 | 8602.050 |
| 9951.140 | 71x71x20 | 1800x1800x500 | 8185.235 | 67x59 | 1696x1699 | 8901.920 | 8601.050 | 8901.930 | 8602.050 |
| 9951.147 | 79x63x20 | 2000x1600x500 | 8105.235 | 75x59 | 1896x1499 | 8601.920 | 8601.050 | 8602.920 | 8602.050 |
| 9951.150 | 79x71x20 | 2000x1800x500 | 8105.235 | 75x59 | 1896x1699 | 8901.920 | 8601.050 | 8901.930 | 8602.050 |
| 9951.148 | 79x63x24 | 2000x1600x600 | 8106.235 | 75x67 | 1896x1499 | 8601.920 | 8061.060 | 8602.920 | 8602.060 |
| 9951.151 | 79x71x24 | 2000x1800x600 | 8106.235 | 75x67 | 1896x1699 | 8901.920 | 8601.060 | 8901.930 | 8602.060 |

TS 8 Freestanding Enclosure

UL Type 12, Floormount Disconnect, Double Door

| Part Number | HxWxD inches | HxWxD mm | Sidewalls (Pair) | Mounting Panel HxW inches | Mounting Panel HxW mm | 4" (100 mm) High Plinth, Front & Rear | 4" (100 mm) High Plinth, Sides | 8" (200 mm) High Plinth, Front & Rear | 8" (200 mm) High Plinth, Sides |
|--------------|--------------|---------------|------------------|---------------------------|-----------------------|---------------------------------------|--------------------------------|---------------------------------------|--------------------------------|
| TFSM634716XC | 63x47x16 | 1600x1200x400 | Included | 59x43 | 1496x109 | Not Required | Not Required | Not Required | Not Required |
| TFSM636316XC | 63x63x16 | 1600x1600x400 | Included | 59x59 | 1496x1499 | Not Required | Not Required | Not Required | Not Required |
| TFSM716316XC | 71x63x16 | 1800x1600x400 | Included | 67x59 | 1696x1499 | Not Required | Not Required | Not Required | Not Required |
| TFSM717116XC | 71x71x16 | 1800x1800x400 | Included | 67x67 | 1696x1699 | Not Required | Not Required | Not Required | Not Required |
| TFSM634720XC | 63x47x20 | 1600x1200x500 | Included | 59x43 | 1496x1099 | Not Required | Not Required | Not Required | Not Required |
| TFSM636320XC | 63x63x20 | 1600x1600x500 | Included | 59x59 | 1496x1499 | Not Required | Not Required | Not Required | Not Required |
| TFSM716320XC | 71x63x20 | 1800x1600x500 | Included | 67x59 | 1696x1499 | Not Required | Not Required | Not Required | Not Required |
| TFSM717120XC | 71x71x20 | 1800x1800x500 | Included | 67x67 | 1696x1699 | Not Required | Not Required | Not Required | Not Required |
| TFSM634721XC | 63x47x24 | 1600x1200x600 | Included | 59x43 | 1496x1099 | Not Required | Not Required | Not Required | Not Required |
| TFSM636342XC | 63x63x24 | 1600x1600x600 | Included | 59x59 | 1496x1499 | Not Required | Not Required | Not Required | Not Required |
| TFSM717124XC | 71x71x24 | 1800x1800x600 | Included | 67x67 | 1696x1699 | Not Required | Not Required | Not Required | Not Required |

Stainless Steel, UL Type 12, IP 55, Single Door – Type 304

| Part Number | HxWxD inches | HxWxD mm | Sidewalls (Pair) | Mounting Panel HxW inches | Mounting Panel HxW mm | 4" (100 mm) High Plinth, Front & Rear | 4" (100 mm) High Plinth, Sides | 8" (200 mm) High Plinth, Front & Rear | 8" (200 mm) High Plinth, Sides |
|-------------|--------------|--------------|------------------|---------------------------|-----------------------|---------------------------------------|--------------------------------|---------------------------------------|--------------------------------|
| 8454.600 | 71x32x16 | 1800x800x400 | 8700.840 | 67x28 | 1696x699 | 8701.800 | 8701.040 | 8702.800 | 8702.040 |
| 8457.600 | 71x24x20 | 1800x600x500 | 8700.850 | 67x20 | 1696x499 | 8701.600 | 8701.050 | 8702.600 | 8702.050 |
| 8455.600 | 71x32x20 | 1800x800x500 | 8700.850 | 67x28 | 1696x699 | 8701.800 | 8701.050 | 8702.800 | 8702.050 |
| 8452.600 | 79x24x24 | 2000x600x600 | 8700.060 | 75x20 | 1896x499 | 8701.600 | 8701.060 | 8702.600 | 8702.060 |
| 8450.600 | 79x32x24 | 2000x800x600 | 8700.060 | 75x28 | 1896x699 | 8701.800 | 8701.060 | 8702.800 | 8702.060 |

Stainless Steel, UL Type 12, IP 55, Double Door – Type 304

| Part Number | HxWxD inches | HxWxD mm | Sidewalls (Pair) | Mounting Panel HxW inches | Mounting Panel HxW mm | 4" (100 mm) High Plinth, Front & Rear | 4" (100 mm) High Plinth, Sides | 8" (200 mm) High Plinth, Front & Rear | 8" (200 mm) High Plinth, Sides |
|-------------|--------------|---------------|------------------|---------------------------|-----------------------|---------------------------------------|--------------------------------|---------------------------------------|--------------------------------|
| 8456.600 | 71x47x16 | 1800x1200x400 | 8700.840 | 67x43 | 1696x1099 | 8701.200 | 8701.040 | 8702.200 | 8702.040 |
| 8453.600 | 71x47x20 | 1800x1200x500 | 8700.850 | 67x43 | 1696x1099 | 8701.200 | 8701.050 | 8702.200 | 8702.050 |
| 8451.600 | 79x47x24 | 2000x1200x600 | 8700.060 | 75x43 | 1896x1099 | 8701.200 | 8701.060 | 8702.200 | 8702.060 |

Stainless Steel UL Type 4X, IP 66 Single Door – Type 304

| Part Number | HxWxD inches | HxWxD mm | Sidewalls (Pair) | Mounting Panel HxW inches | Mounting Panel HxW mm | 4" (100 mm) High Plinth, Front & Rear | 4" (100 mm) High Plinth, Sides | 8" (200 mm) High Plinth, Front & Rear | 8" (200 mm) High Plinth, Sides |
|-------------|--------------|--------------|------------------|---------------------------|-----------------------|---------------------------------------|--------------------------------|---------------------------------------|--------------------------------|
| 9978.420 | 63x24x16 | 1600x600x400 | 9978.424 | 59x20 | 1496x499 | 8701.600 | 8701.040 | 9963.525 | 9978.427 |
| 9978.421 | 63x32x16 | 1600x800x400 | 9978.424 | 59x28 | 1496x699 | 8701.800 | 8701.040 | 9963.525 | 9978.427 |
| 9978.422 | 79x32x16 | 2000x800x400 | 9978.425 | 75x28 | 1896x699 | 8701.800 | 8701.040 | 9963.525 | 9978.428 |
| 8450.680 | 79x32x24 | 2000x800x600 | 8700.680 | 75x28 | 1896x699 | 8701.800 | 8701.060 | 9969.527 | 8700.064 |
| 9978.423 | 79x32x32 | 2000x800x800 | 9978.426 | 75x28 | 1896x699 | 8701.800 | 8701.080 | 9978.435 | 8700.084 |

Stainless Steel UL Type 4X, Single Door – Type 316L

| Part Number | HxWxD inches | HxWxD mm | Sidewalls (Pair) | Mounting Panel HxW inches | Mounting Panel HxW mm | 8" (200 mm) High Plinth, Front & Rear | 8" (200 mm) High Plinth, Sides | 12" (300 mm) Leg Kits |
|-------------|--------------|--------------|------------------|---------------------------|-----------------------|---------------------------------------|--------------------------------|-----------------------|
| 9977.477 | 71x24x24 | 1800x600x600 | 9977.479 | 67x20 | 1696x499 | 9972.908 | 8702.065 | 9963.530 |
| 9977.472 | 71x32x20 | 1800x800x500 | 9977.478 | 67x28 | 1696x699 | 9972.907 | 8702.055 | 9963.529 |
| 9977.475 | 71x32x24 | 1800x800x600 | 9977.479 | 67x28 | 1696x699 | 9972.907 | 8702.065 | 9963.530 |
| 9977.470 | 79x24x24 | 2000x600x600 | 9977.481 | 75x20 | 1896x499 | 9972.908 | 8702.065 | 9963.530 |
| 9977.473 | 79x32x20 | 2000x800x500 | 9977.482 | 75x20 | 1896x499 | 9972.908 | 9977.494 | 9973.052 |
| 9977.467 | 79x32x24 | 2000x800x600 | 9977.481 | 75x28 | 1896x699 | 9972.907 | 8702.065 | 9963.530 |
| 9977.466 | 79x32x32 | 2000x800x800 | 9977.482 | 75x28 | 1896x699 | 9972.907 | 9977.494 | 9973.052 |
| 9977.471 | 87x24x24 | 2200x600x600 | 9977.483 | 83x20 | 2096x499 | 9972.908 | 8702.065 | 9963.530 |
| 9977.476 | 87x24x32 | 2200x600x800 | 9977.484 | 83x20 | 2096x499 | 9972.908 | 9977.494 | 9973.052 |
| 9977.469 | 87x32x24 | 2200x800x600 | 9977.483 | 83x28 | 2096x699 | 9972.907 | 8702.065 | 9963.530 |
| 9977.474 | 87x32x32 | 2200x800x800 | 9977.484 | 83x28 | 2096x699 | 9972.907 | 9977.494 | 9973.052 |

TS 8 Freestanding Enclosure

Stainless Steel UL Type 4X, IP 66 Floormount, Double Door – Type 304

| Part Number | HxWxD inches | HxWxD mm | Sidewalls (Pair) | Mounting Panel HxW inches | Mounting Panel HxW mm | 4" (100 mm) High Plinth, Front & Rear | 4" (100 mm) High Plinth, Sides | 8" (200 mm) High Plinth, Front & Rear | 8" (200 mm) High Plinth, Sides |
|-------------|--------------|---------------|------------------|---------------------------|-----------------------|---------------------------------------|--------------------------------|---------------------------------------|--------------------------------|
| 9978.429 | 63x47x16 | 1600x1200x400 | Included | 59x43 | 1469x1099 | Not Required | Not Required | Not Required | Not Required |
| 9978.430 | 63x63x16 | 1600x1600x400 | Included | 59x59 | 1469x1499 | Not Required | Not Required | Not Required | Not Required |
| 9978.431 | 63x47x20 | 2000x1600x400 | Included | 59x43 | 1869x1499 | Not Required | Not Required | Not Required | Not Required |
| 9978.432 | 63x63x20 | 1600x1600x600 | Included | 59x59 | 1469x1499 | Not Required | Not Required | Not Required | Not Required |
| 9978.433 | 71x63x16 | 1800x1600x800 | Included | 67x59 | 1869x1499 | Not Required | Not Required | Not Required | Not Required |

Accessories for External Use

| Description | PU | Part. No. |
|---|----|-----------|
| Base | | |
| Plinth bolt-down brackets | 10 | 2817.000 |
| Replacement cover cap for 4" (100 mm) plinth | 4 | 8601.130 |
| Replacement cover cap for 8" (200 mm) plinth | 4 | 8601.140 |
| Leveling feet, 1 – 2" (18 – 43 mm), 660 lb (300 kg) per leveling foot, M12 thread | 4 | 4612.000 |
| Twin casters, 265 lb (120 kg) per caster, black | 4 | 7495.000 |
| Walls | | |
| Hinges for sidewalls, RAL 7035 | 6 | 8800.110 |
| Roof | | |
| Roof spacers, 0.4" (10 mm) height | 4 | 2422.000 |
| Roof spacers, 0.8" (20 mm) height | 4 | 2423.000 |
| Roof spacers, 2.0" (50 mm) height | 4 | 7967.000 |
| Replacement eyebolts, M12 thread | 4 | 4568.000 |
| Button-head screws, M12 thread | 20 | 4198.000 |
| Anti-tip wall bracket for anchoring enclosure to wall | 4 | 4595.000 |
| Doors/Locks | | |
| Handle adaptor for viewing door, RAL 7035 | 1 | 8611.080 |
| Replacement lock catches, die-cast zinc | 4 | 8800.040 |
| Replacement 130° hinges, die-cast zinc | 4 | 8800.020 |
| 180° hinges, RAL 7035 | 4 | 8800.190 |
| 180° hinges, nickel plated | 4 | 8701.180 |
| Comfort handle, RAL 7035 | 1 | 8611.020 |
| Comfort handle, padlockable, RAL 7035 | 1 | 8611.290 |
| Key lock insert (for key #3524E) for comfort handle | 1 | 8611.180 |
| Comfort handle, nickle-plated | 1 | 8611.330 |
| Push-button insert for comfort handle | 1 | 8611.190 |
| Key locking push-button insert (for key #12321) for comfort handle | 1 | 8611.200 |
| Screwdriver lock insert for comfort handle | 1 | 8611.140 |

| Description | PU | Part. No. |
|--|----|-----------|
| Doors/Locks (continued) | | |
| Enclosure key, double-bit no. 5 | 1 | 2531.000 |
| Enclosure lock-out/tag-out, for 6 locks | 2 | 2493.500 |
| Single interface flap, plastic | 1 | 2482.300 |
| Double interface flap, plastic | 1 | 2482.310 |
| Single interface flap, metal, UL | 1 | 2482.320 |
| Double interface flap, metal, UL | 1 | 2482.330 |
| Interface flap insert, NEMA 5-15 plug | 1 | 2482.420 |
| Interface flap insert, fused NEMA 5-15 plug | 1 | 2482.430 |
| Interface flap Insert, 2x USB A | 1 | 2482.540 |
| Interface flap insert, USB A, RJ 45, SUB-D9 | 1 | 2482.570 |
| Interface flap insert, blank plate | 1 | 2482.590 |
| USB interface extension, 118" (3 meters) | 1 | 2482.230 |
| RJ45 interface extension, 118" (3 meters) | 1 | 2482.720 |
| External data pocket, 16"Hx14"Wx3"D (409x356x76 mm) RAL7035 | 1 | EDP1614C |
| External data pocket, 14"Hx19"Wx3"D (356x487x76 mm) RAL7035 | 1 | EDP1419C |
| External fold-down shelf, 12"Hx12"Wx2"D (305x305x51 mm) | 1 | FDS1212C |
| External fold-down shelf, 18"Hx18"Wx2"D (457x457x51 mm) | 1 | FDS1818C |
| Internal fold-down shelf for 600 mm wide doors, 16"Wx16"D (413x400 mm) | 1 | 4638.600 |
| Internal fold-down shelf for 800 mm wide doors, 24"Wx16"D (613x400 mm) | 1 | 4638.800 |
| Baying Hardware | | |
| External baying brackets, plated sheet steel | 6 | 8800.490 |
| External baying brackets, stainless steel | 6 | 8700.000 |
| Eyebolt interconnection brackets, plated sheet steel | 4 | 4540.000 |
| Paint | | |
| Touch-up paint, 12 oz. aerosol can, RAL 7035 | 1 | 9093.006 |
| Touch-up paint, 1 qt. can, RAL 7035 | 1 | 9094.006 |
| Touch-up paint, 0.6 oz. bottle, RAL 7035 | 1 | 9095.006 |

TS 8 Accessories

Accessories for Internal Use

| Description | PU | Part No. |
|--|-----|----------|
| Door Hardware | | |
| Door roller, for lifting a loaded door | 10 | 4538.000 |
| Door stop | 5 | 4583.000 |
| Replacement spring washers for lockrods | 100 | 8800.070 |
| Print pocket, plastic, A3 | 1 | 2513.000 |
| Flange Mount Disconnect | | |
| Interconnecting rods for 24" (600 mm) wide cabinets | 10 | 4916.000 |
| Interconnecting rods for 32" (800 mm) wide cabinets | 10 | 4918.000 |
| Interconnecting rods for 47" (1200 mm) wide cabinets | 10 | 4920.000 |
| Electrical door interlock, 120V | 1 | 2419.000 |
| Interlock activator, for main door | 1 | 4912.000 |
| Slave-door defeater kit | 1 | 4911.000 |
| Replacement FMD enclosure interlock kit | 1 | 8611.310 |
| Mounting Panel Hardware | | |
| Width divider, for 47" (1200 mm) wide enclosure* | 1 | 8800.200 |
| Side-mount mounting panel hardware | 10 | 8800.090 |
| Mounting panel brackets, for back to back panels | 2 | 8800.280 |
| Full size mounting panel hinge kit* | 1 | 8800.810 |
| Partial mounting panel hinge kit* | 1 | 8614.100 |
| Baying Hardware | | |
| Quick fit baying clamps | 6 | 8800.500 |
| Angular/corner baying brackets | 4 | 8800.430 |
| Flat baying brackets | 4 | 4582.500 |
| Baying brackets, for use with divider wall | 8 | 8800.470 |
| Suiting kit, UL type 4X, SS316, (1800x500 mm) | 1 | 9977.485 |
| Suiting kit, UL type 4X, SS316, (1800x600 mm) | 1 | 9977.486 |
| Suiting kit, UL type 4X, SS316, (2000x500 mm) | 1 | 9977.487 |
| Suiting kit, UL type 4X, SS316, (2000x600 mm) | 1 | 9977.488 |
| Suiting kit, UL type 4X, SS316, (2000x800 mm) | 1 | 9977.489 |
| Suiting kit, UL type 4X, SS316, (2200x600 mm) | 1 | 9977.490 |
| Suiting kit, UL type 4X, SS316, (2200x800 mm) | 1 | 9977.491 |
| Suiting kit, UL type 4, RAL 7035, 70.9"Hx23.6"D (1800x600 mm) | 1 | 8186.504 |
| NEMA 4X Baying kit, 63x16" HXD (1600 mm x 400 mm HXD), 304 stainless steel | 1 | 9978.427 |
| NEMA 4X Baying kit, 79x16" HXD (2000 mm x 400 mm HXD), 304 stainless steel | 1 | 9978.428 |
| Enclosure Lights and Hardware | | |
| LED Light 900 Lumens, 24V DC, 17.2" (437mm) | 1 | 2500.220 |
| LED Light 900 Lumens, 100-240V AC, 17.2" (437mm) | 1 | 2500.200 |
| LED Light 1200 Lumens w/ motion sensor, 100-240V AC, 17.2" (437mm) | 1 | 2500.300 |
| LED connection cable, 3 m length | 5 | 2500.410 |
| LED connection cable for through wiring, 1 m length | 1 | 2500.530 |
| LED door operated switch | 1 | 2500.460 |
| Compact 10-LED light, 24V DC, 9" (230 mm) | 1 | 4140.810 |
| Compact 20-LED light, 24V DC, 13" (330 mm) | 1 | 4140.820 |
| Compact 30-LED light, 24V DC, 17" (430 mm) | 1 | 4140.830 |
| Compact 40-LED light, 24V DC, 21" (530 mm) | 1 | 4140.840 |

| Description | PU | Part No. |
|--|-----|----------|
| Enclosure Lights and Hardware (continued) | | |
| Compact LED connection cable, 3m length | 1 | 4315.800 |
| Compact Door operated switch with LED connection cable, 3 m length | 1 | 4315.810 |
| Compact Door operated switch with LED connection cable, 1 m length | 1 | 4315.820 |
| Compact LED connection cable for through wiring, 0.6 m length | 1 | 4315.830 |
| Compact LED connection cable for through wiring, 1 m length | 1 | 4315.840 |
| Compact LED connection cable for through wiring, 3 m length | 1 | 4315.850 |
| Adaptor power pack, 100-230V AC to 24V DC, 1A, Europlug | 1 | 4315.860 |
| Compact light, UL 110-240V, 50/60Hz, 8W, 17.9" (455 mm) | 1 | 4140.210 |
| Compact light, UL 110-240V, 50/60Hz, 14W, 27.8" (705 mm) | 1 | 4140.220 |
| Compact light, 24V DC, 8W, 17.9" (455 mm) | 1 | 4140.110 |
| Compact light, 24V DC, 14W, 28" (705 mm) | 1 | 4140.120 |
| Door switch with cable, for compact light, UL | | 4315.720 |
| Enclosure light, UL, 120V, 60Hz, 15W, 18" (455 mm) with receptacle | 1 | 9968.111 |
| Enclosure light, UL, 120V, 60Hz, 18W, 24" (600 mm) with receptacle | 1 | 9968.112 |
| Door switch, without cable | 1 | 4127.000 |
| Universal light, UL, 110-240V, 50/60Hz, 26W, 13.5" (345 mm) | 1 | 4155.510 |
| Power cable for universal light, UL, 118" (3000 mm) | 1 | 4315.150 |
| Through connection cable, UL, 24" (600 mm) | 1 | 4315.450 |
| Frame adaptor bracket, for lights or cable duct | 6 | 8800.360 |
| Magnetic mounting kit for the Compact light | 2 | 4140.000 |
| Grounding | | |
| Ground straps, AWG 11, 6.7" (170 mm) | 5 | 2564.000 |
| Ground straps, AWG 11, 11.8" (300 mm) | 5 | 2567.000 |
| Ground straps, AWG 5, 6.7" (170 mm) | 5 | 2565.000 |
| Ground straps, AWG 5, 11.8" (300 mm) | 5 | 2568.000 |
| Ground straps, AWG 3, 6.7" (170 mm) | 5 | 2566.000 |
| Ground straps, AWG 3, 11.8" (300 mm) | 5 | 2569.000 |
| Grounding rail, with isolators, 17.7" (450 mm) 200A | 1 | 7113.000 |
| Cable Management | | |
| Cable ties, for use with round frame holes | 100 | 2597.000 |
| General Hardware | | |
| Cage nuts, M5 | 50 | 4166.000 |
| Cage nuts, M6 | 50 | 4164.000 |
| Cage nuts, M8 | 50 | 4165.000 |
| Threaded blocks with tab, M6 | 50 | 4162.000 |
| Threaded blocks with tab, M8 | 50 | 4163.000 |
| M6x12 mm screws | 300 | 2504.500 |
| Captive nuts, M6, for 19" (482.6 mm) rails | 50 | 2092.200 |
| Assembly screws, M6, T30, for 19" (482.6 mm) rails | 100 | 7094.600 |
| Torx head screws, M5.5x13, for use on frame | 300 | 2486.500 |

TS8 12" (305 mm) Floor Stands & Solid Base Pan

| Description | PU | 16"D (400 mm) | 20"D (500 mm) | 24"D (600 mm) | 32"D (800 mm) |
|---|----|---------------|---------------|---------------|---------------|
| TS Floor Stand Kit, 12"H (305 mm), carbon steel | 2 | 9963.522 | 9963.523 | 9963.524 | – |
| TS Floor Stand Kit, 12"H (305 mm), 304 stainless steel | 2 | 9963.525 | 9963.526 | 9963.527 | 9978.435 |
| TS Floor Stand Kit, 12"H (305 mm), 316L stainless steel | 2 | 9963.528 | 9963.529 | 9963.530 | – |
| TS Solid Base Pan, 48"W (1200 mm), Carbon steel | 1 | 9963.531 | 9963.532 | 9963.533 | – |
| TS Solid Base Pan, 63"W (1600 mm), Carbon steel | 1 | 9963.534 | 9963.535 | 9963.536 | – |
| TS Solid Base Pan, 71"W (1800 mm), Carbon steel | 1 | 9963.537 | 9963.538 | 9963.539 | – |
| TS Solid Base Pan, 48"W (1200 mm), 304 stainless steel | 1 | 9963.540 | 9963.541 | 9963.542 | – |
| TS Solid Base Pan, 48"W (1200 mm), 316L stainless steel | 1 | 9963.543 | 9963.544 | 9963.545 | – |

Height Specific Accessories

| Description | PU | 55" (1400 mm) | 63" (1600 mm) | 71" (1800 mm) | 79" (2000 mm) | 87" (2200 mm) |
|--------------------------------------|----|---------------|---------------|---------------|---------------|---------------|
| Mounting panel joining piece | 1 | 9968.448 | 4589.700 | 4590.700 | 4591.700 | 4592.700 |
| TS to PS adaptor rail | 4 | – | – | 8800.380 | 8800.300 | 8800.320 |
| System bars, 0.9x0.9" (23x23 mm)* | 6 | 4393.000 | 4175.000 | 4176.000 | 4177.000 | 4178.000 |
| System chassis, 0.9x2.9" (23x73 mm)* | 4 | – | – | 4379.000 | 4380.000 | 4381.000 |
| Cable duct, 1.6" (50 mm) width | 8 | – | 8800.570 | 8800.520 | – | – |
| Cable duct, 3.9" (100 mm) width | 4 | – | 8800.540 | 8800.510 | – | – |
| 19" rails, C-shaped* | 2 | 7827.140 | 7827.160 | 7827.180 | 7827.200 | 7827.220 |
| 19" rails, L-shaped* | 2 | 7827.141 | 7827.161 | 7827.181 | 7827.201 | 7827.221 |
| 19" rails, extruded aluminum | 4 | – | 8613.060 | 8613.080 | 8613.000 | 8613.020 |

*Additional parts required

Width Specific Accessories

| Description | PU | 16" (400 mm) | 20" (500 mm) | 24" (600 mm) | 32" (800 mm) | 40" (1000 mm) | 48" (1200 mm) |
|---|----|--------------|--------------|--------------|--------------|---------------|---------------|
| Door Support Rails | 20 | 4594.000 | 4309.000 | 4596.000 | 4598.000 | 4599.000 | – |
| Folding desk panel, internal, door-mount | 1 | – | – | 4638.600 | 4638.800 | – | – |
| Print pocket, sheet steel, RAL 7035 | 1 | 4114.000 | 4115.000 | 4116.000 | 4118.000 | 4124.000 | – |
| Mounting panel support rails | 2 | – | – | – | – | – | 4333.120 |
| Partial mounting panel, 20"Hx12"W (500x300 mm) | 1 | 8614.640 | – | 8614.640 | – | – | – |
| Partial mounting panel, 20"Hx16"W (500x400 mm) | 1 | – | – | 8614.650 | – | – | – |
| Partial mounting panel, 20"Hx20"W (500x500 mm) | 1 | – | – | 8614.660 | – | – | – |
| Partial mounting panel, 20"Hx28"W (500x700 mm) | 1 | – | – | 8614.680 | 8614.680 | – | – |
| Partial mounting panel, 20"Hx31"W (500x775 mm) | 1 | – | – | 8614.675 | – | – | – |
| Partial mounting panel, 28"Hx12"W (700x300 mm) | 1 | 8614.840 | – | – | 8614.840 | – | – |
| Partial mounting panel, 28"Hx16"W (700x400 mm) | 1 | – | – | – | 8614.850 | – | – |
| Partial mounting panel, 28Hx28W" (700x700 mm) | 1 | – | – | – | 8614.880 | – | – |
| Partial mounting panel, 35"Hx12"W (900x300 mm) | 1 | 8614.040 | – | – | – | 8614.040 | – |
| Partial mounting panel, 35"Hx16"W (900x400 mm) | 1 | – | – | – | – | 8614.050 | – |
| Partial mounting panel, 35"Hx20"W (900x500 mm) | 1 | – | – | 8614.060 | – | 8614.060 | – |
| Partial mounting panel, 43"Hx12"W (1100x300 mm) | 1 | 8614.240 | – | – | – | – | 8614.240 |
| Partial mounting panel, 43"Hx16"W (1100x400 mm) | 1 | – | – | – | – | – | 8614.250 |
| Partial mounting panel, 43"Hx20"W (1100x500 mm) | 1 | – | – | 8614.260 | – | – | 8614.260 |
| TS system chassis with flange, for outer level | 4 | 8612.140 | 8612.150 | 8612.160 | 8612.180 | 8612.100 | 8612.120 |
| TS system chassis with flange, for inner level | 4 | 8612.040 | 8612.050 | 8612.060 | 8612.080 | 8612.000 | 8612.020 |
| TS system chassis with flange (PS hole pattern) | 4 | – | 8612.550 | 8612.560 | 8612.580 | 8612.500 | 8612.520 |
| System bars, 0.9x0.9" (23x23 mm)* | 12 | 4169.000 | 4170.000 | 4171.000 | 4172.000 | 4173.000 | 4174.000** |
| PS system chassis without flange | 4 | 4374.000 | 4375.000 | 4376.000 | 4377.000 | 4382.000 | 4378.000 |
| PS system chassis with flange | 4 | 8800.640 | 8800.650 | 4364.000 | 4365.000 | 4373.000 | 4367.000 |
| HD punched rails 1.0x1.5" (25x38 mm) | 2 | 8612.740 | 8612.750 | 8612.760 | 8612.780 | – | – |
| HD system chassis without flange | 2 | – | 8612.650 | 8612.660 | 8612.680 | – | – |
| System support rails, with T-head screws | 2 | – | – | 4361.000 | 4362.000 | 4347.000 | 4363.000 |
| Heavy duty support rails, with holes | 4 | 4394.000 | 4395.000 | 4396.000 | 4398.000 | – | – |
| Cable duct, 1.6" (40 mm) width | 20 | – | – | 8800.731 | 8800.736 | 8800.741 | 8800.746 |

TS 8 Accessories

Width Specific Accessories (continued)

| | | | | | | | |
|---|----|---|---|----------|----------|----------|----------|
| Cable duct, 3.9" (100 mm) width | 12 | – | – | 8800.734 | 8800.739 | 8800.744 | 8800.749 |
| Partial swing frame, 12U | 1 | – | – | 2377.090 | 2377.120 | – | – |
| Partial swing frame installation kit | 1 | – | – | 2377.860 | 2377.880 | – | – |
| 130° full height swing frame installation kit | 1 | – | – | 1994.835 | 1995.235 | – | 1996.535 |
| 180° full height swing frame installation kit | 1 | – | – | – | 1997.235 | – | – |
| Door interlocking rods, FMD | 10 | – | – | 4916.000 | 4918.000 | – | 4920.000 |

*Additional parts required **6 PU

Depth Specific Accessories

| Description | PU | 16" (400 mm) | 20" (500 mm) | 24" (600 mm) | 32" (800 mm) |
|--|----|--------------|--------------|--------------|--------------|
| Top baying cover, RAL 7035 | 1 | 8800.840 | 8800.850 | 8800.860 | 8800.880 |
| Top baying cover, 304SS | 1 | 8700.140 | 8700.150 | 8700.160 | – |
| Partial mounting panel, 20"Hx12"W (500 x 300 mm) | 1 | 8614.640 | – | 8614.640 | – |
| Partial mounting panel, 20"Hx16"W (500 x 400 mm) | 1 | – | 8614.650 | 8614.650 | – |
| Partial mounting panel, 20"Hx20"W (500 x 500 mm) | 1 | – | – | 8614.660 | – |
| Partial mounting panel, 20"Hx28"W (500 x 700 mm) | 1 | – | – | 8614.680 | 8614.680 |
| Partial mounting panel, 20"Hx31"W (500 x 775 mm) | 1 | – | – | 8614.675 | – |
| Partial mounting panel, 28"Hx12"W (700 x 300 mm) | 1 | 8614.840 | – | – | 8614.840 |
| Partial mounting panel, 28"Hx16"W (700 x 400 mm) | 1 | – | 8614.850 | – | 8614.850 |
| Partial mounting panel, 28"Hx28"W (700 x 700 mm) | 1 | – | – | – | 8614.880 |
| Partial mounting panel, 35"Hx12"W (900 x 300 mm) | 1 | 8614.040 | – | – | – |
| Partial mounting panel, 35"Hx16"W (900 x 400 mm) | 1 | – | 8614.050 | – | – |
| Partial mounting panel, 35"Hx20"W (900 x 500 mm) | 1 | – | – | 8614.060 | – |
| Partial mounting panel, 35"Hx12"W (900 x 300 mm) | 1 | 8614.240 | – | – | – |
| Partial mounting panel, 35"Hx16"W (900 x 400 mm) | 1 | – | 8614.250 | – | – |
| Partial mounting panel, 35"Hx20"W (900 x 500 mm) | 1 | – | – | 8614.260 | – |
| TS system chassis with flange, for outer level | 4 | 8612.140 | 8612.150 | 8612.160 | 8612.180 |
| TS system chassis with flange, for inner level | 4 | 8612.040 | 8612.050 | 8612.060 | 8612.080 |
| TS system chassis with flange (PS hole pattern) | 4 | – | 8612.550 | 8612.560 | 8612.580 |
| System bars, 0.9x0.9" (23x23 mm)* | 12 | 4169.000 | 4170.000 | 4171.000 | 4172.000 |
| PS system chassis without flange | 4 | 4374.000 | 4375.000 | 4376.000 | 4377.000 |
| PS system chassis with flange* | 4 | 8800.640 | 8800.650 | 4364.000 | 4365.000 |
| HD punched rails 1.0x1.5" (25x38 mm) | 2 | 8612.740 | 8612.750 | 8612.760 | 8612.780 |
| HD system chassis without flange | 2 | – | 8612.650 | 8612.660 | 8612.680 |
| Top-mounted transformer rails | 2 | – | 9960.644 | 9960.643 | 9960.645 |
| Heavy duty support rails, with holes | 4 | 4394.000 | 4395.000 | 4396.000 | 4398.000 |

*Additional parts required

Shelves

| Description | PU | 24"Wx20"D (600x500 mm) | 24"Wx24"D (600x600 mm) | 24"Wx32"D (600x800 mm) | 32"Wx20"D (800x500 mm) | 32"Wx24"D (800x600 mm) | 32"Wx32"D (800x800 mm) |
|---|----|---------------------------|---------------------------|---------------------------|---------------------------|---------------------------|---------------------------|
| Shelf, 110 lb. (50 kg), vented (mounted with system chassis)* | 1 | 7164.035 | 7165.035 | 7166.735 | 7184.035 | 7185.035 | 7186.735 |
| Shelf, 110 lb. (50 kg), solid (mounted with system chassis)* | 1 | 7264.035 | 7265.035 | – | – | – | – |
| Shelf, 220 lb. (100 kg), vented (mounted with system chassis)* | 1 | 7464.035 | 7465.035 | 7466.735 | 7484.035 | 7485.035 | 7486.735 |
| Telescopic slides, for 110 lb. (50 kg) chassis mounted shelves | 2 | 7061.000 | 7081.000 | 7161.700 | 7061.000 | 7081.000 | 7161.700 |
| Telescopic slides, for 220 lb. (100 kg) chassis mounted shelves | 2 | 7064.000 | 7065.000 | 7066.700 | 7064.000 | 7065.000 | 7066.700 |
| Shelf, 165 lb. (75 kg), fixed, vented (frame mounted) | 1 | – | 7828.660 | 7829.680 | – | 7828.680 | 7828.880 |
| Rack/panel mounted shelf, 9.8" (250 mm) depth | 1 | 7119.250 | 7119.250 | 7119.250 | 7119.250 | 7119.250 | 7119.250 |
| Rack/panel mounted shelf, 15.8" (400 mm) depth | 1 | 7119.400 | 7119.400 | 7119.400 | 7119.400 | 7119.400 | 7119.400 |
| Rack/door mount shelf/writing table, 17.7x11.6" (450x295 mm) | 1 | 7183.100 | 7183.100 | 7183.100 | 7183.100 | 7183.100 | 7183.100 |

*Additional parts required

Replacement Doors and Mounting Panels

| Description | PU | 47"Hx24"W (1200x600 mm) | 47"Hx32"W (1200x800 mm) | 47"Hx47"W (1200x1200 mm) | – | – | – |
|----------------|----|----------------------------|----------------------------|-----------------------------|---|---|---|
| Single door | 1 | 5050.150 | 5050.156 | – | – | – | – |
| Left door | 1 | – | – | 5050.174 | – | – | – |
| Right door | 1 | – | – | 5050.168 | – | – | – |
| Mounting panel | 1 | 5050.089 | 5050.084 | 5050.112 | – | – | – |

| Description | PU | 55"Hx24"W (1400x600 mm) | 55"Hx32"W (1400x800 mm) | 55"Hx47"W (1400x1200 mm) | – | – | – |
|----------------|----|----------------------------|----------------------------|-----------------------------|---|---|---|
| Single door | 1 | 5050.151 | 5050.157 | – | – | – | – |
| Left door | 1 | – | – | 5050.157 | – | – | – |
| Right door | 1 | – | – | 5050.169 | – | – | – |
| Mounting panel | 1 | 5050.090 | 5050.085 | 5050.113 | – | – | – |

| Description | PU | 63"Hx24"W (1600x600 mm) | 63"Hx32"W (1600x800 mm) | 63"Hx47"W (1200x600 mm) | – | – | – |
|----------------|----|----------------------------|----------------------------|----------------------------|---|---|---|
| Single door | 1 | 5050.152 | 5050.158 | – | – | – | – |
| Left door | 1 | – | – | 5050.176 | – | – | – |
| Right door | 1 | – | – | 5050.170 | – | – | – |
| Mounting panel | 1 | 5050.091 | 5050.086 | 5050.114 | – | – | – |

| Description | PU | 71"Hx24"W (1800x600 mm) | 71"Hx32"W (1800x800 mm) | 71"Hx39"W (1800x1000 mm) | 71"Hx47"W (1800x1200 mm) | 71"Hx63"W (1800x1600 mm) | 71"Hx71"W (1800x1800 mm) |
|----------------|----|----------------------------|----------------------------|-----------------------------|-----------------------------|-----------------------------|-----------------------------|
| Single door | 1 | 5050.153 | 5050.159 | 5050.161 | – | – | – |
| Left door | 1 | – | 5050.163 | 5050.166 | 5050.177 | 8901.800 | 8901.820 |
| Right door | 1 | – | 5050.162 | 5050.164 | 5050.171 | 8901.810 | 8901.830 |
| Viewing door | 1 | 8610.680 | 8610.880 | – | – | – | – |
| Mounting panel | 1 | 5050.092 | 5050.087 | 5050.095 | 5050.115 | 8901.960 | 8901.970 |

| Description | PU | 79"Hx24"W (2000x600 mm) | 79"Hx32"W (2000x800 mm) | 79"Hx39"W (2000x1000 mm) | 79"Hx47"W (2000x1200 mm) | 79"Hx63"W (2000x1600 mm) | 79"Hx71"W (2000x1800 mm) |
|----------------|----|----------------------------|----------------------------|-----------------------------|-----------------------------|-----------------------------|-----------------------------|
| Single door | 1 | 5050.154 | 5050.067 | 9973.103 | – | – | – |
| Left door | 1 | – | – | 5050.167 | 5050.178 | 8901.840 | 8901.860 |
| Right door | 1 | – | – | 5050.165 | 5050.172 | 8901.850 | 8901.870 |
| Viewing door | 1 | 8610.600 | 8610.800 | – | – | – | – |
| Mounting panel | 1 | 5050.093 | 5050.062 | 5050.096 | 5050.116 | 8901.980 | 8901.990 |

| Description | PU | 87"Hx24"W (2200x600 mm) | 87"Hx32"W (2200x800 mm) | 87"Hx39"W (2200x1000 mm) | 87"Hx47"W (2200x1200 mm) | – | – |
|----------------|----|----------------------------|----------------------------|-----------------------------|-----------------------------|---|---|
| Single door | 1 | 5050.155 | 5050.160 | 9973.107 | – | – | – |
| Left door | 1 | – | – | – | 5050.179 | – | – |
| Right door | 1 | – | – | – | 5050.173 | – | – |
| Viewing door | 1 | 8610.620 | 8610.820 | – | – | – | – |
| Mounting panel | 1 | 5050.094 | 5050.088 | 9973.108 | 5050.117 | – | – |

Modular Front (MC) Accessories

| Description | PU | 24" W (600 mm) | 32" W (800 mm) |
|--|----|----------------|----------------|
| Trim piece, 11.8" (300 mm) height, hinged at top | 1 | 8801.230 | 8801.240 |
| Door stay, for hinged trim piece | 2 | 8801.260 | 8801.260 |
| Top trim panel set, 3.9" (100 mm) height | 1 | 9672.316 | 9672.318 |
| Bottom trim panel set, 3.9" (100mm) height | 1 | 9672.336 | 9672.338 |
| Partial door, 7.9" (200 mm) height | 1 | 9672.162 | 9672.182 |
| Partial door, 15.7" (400 mm) height | 1 | 9672.164 | 9672.184 |
| Partial door, 23.6" (600 mm) height | 1 | 9672.166 | 9671.186 |
| Partial door, 31.5" (800 mm) height | 1 | 9672.168 | 9672.188 |
| Partial door, 39.4" (1000 mm) height | 1 | 9672.160 | 9672.180 |
| Partial viewing door, 23.6" (600 mm) height | 1 | 9672.167 | 9672.187 |
| Partial viewing door, 31.5" (800 mm) height | 1 | 9672.169 | – |
| Keyboard drawer, 7.9" (200 mm) height | 1 | 8801.715 | 8801.915 |

Rittal – The System.

Faster – better – everywhere.

- Enclosures
- Power Distribution
- Climate Control
- IT Infrastructure
- Software & Services

Rittal Corporation

Woodfield Corporate Center
425 North Martingale Road, Suite 400 • Schaumburg, Illinois 60173 • USA
Phone: 937-399-0500 • Toll-free: 800-477-4000
Email: rittal@rittal.us • Website: www.rittal.us

Rittal Systems Ltd.

6485 Ordan Drive • Mississauga, Ontario L5T 1X2 • Canada
Phone: 905-795-0777 • Toll-free: 800-399-0748
Email: marketing@rittal.ca • Website: www.rittal.ca

Rittal Mexico

Dr. Roberto Gayol 1219-1B • Col. Del Valle Sur, 03100 • Mexico, D.F.
Phone: (+52) (55) 5559-5369 • Toll-free: 01 800 8 Rittal (748.825)
Email: info@rittal.com.mx • Website: www.rittal.com.mx

ENCLOSURES

POWER DISTRIBUTION

CLIMATE CONTROL

IT INFRASTRUCTURE

SOFTWARE & SERVICES

FRIEDHELM LOH GROUP

